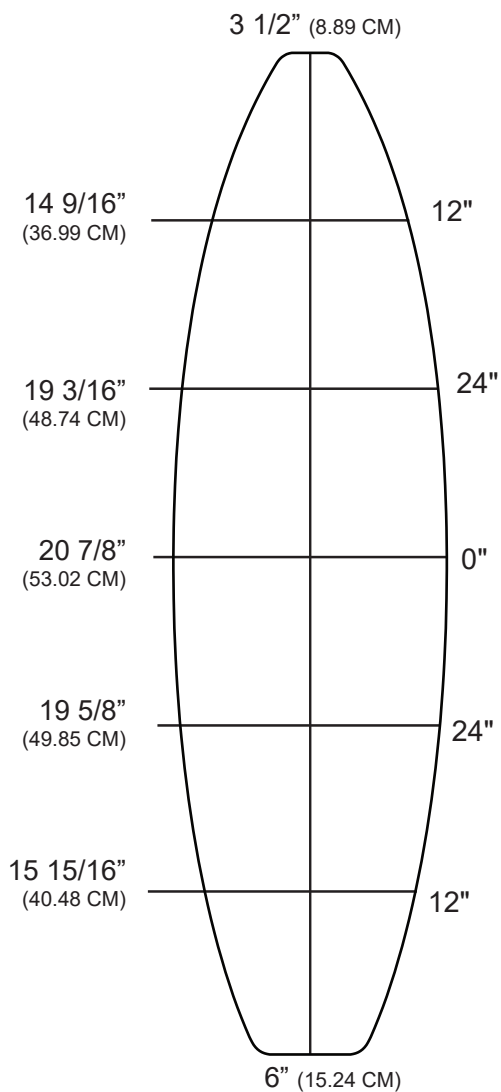


6'4"P



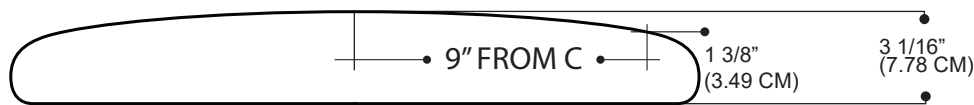
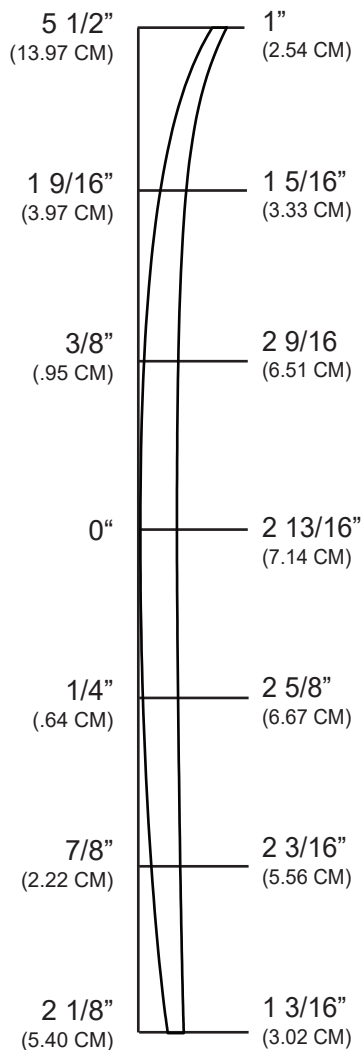
BOTTOM LENGTH: 6' 3 1/8"
(190.82 CM)

TIP TO TIP LENGTH: 6' 2 1/2"
(189.15 CM)

MAX WIDTH: 20 7/8" (53.02 CM)

THE 64P SPANS THE GAP BETWEEN CLOSE TOLERANCE HANDSHAPE BLANKS AND MACHINE CUTTING BANKS. THE THICKNESS FLOW IS NOT EXCESSIVE BUT IS CARRIED OUT TO THE RAILS. THE DECK IS NOT EXCESSIVELY CROWNED AND WILL NET A STANDARD SHORT BOARD SHAPE WITH EASE

VOLUME: 44.7 L



CENTER DECK SCALE CROSSSECTION



MILLENNIUM
FOAM  **BUILD ON QUALITY**
STORES.MILLENNIUMFOAM.COM
310.489.8011