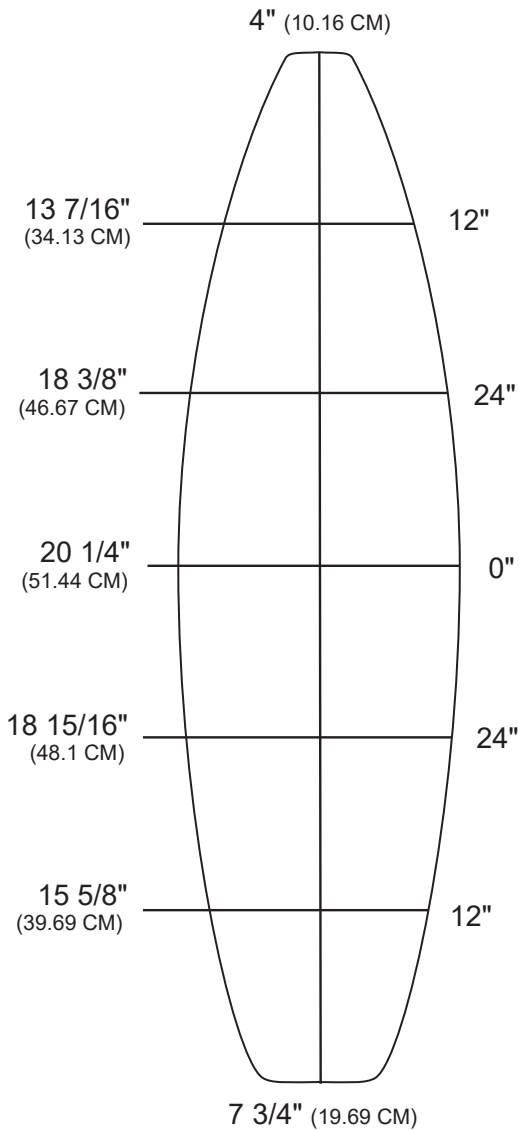


6'3"CB



BOTTOM LENGTH: 6' 4" (193.04 CM)

TIP TO TIP DECK: 6' 2" (187.96 CM)

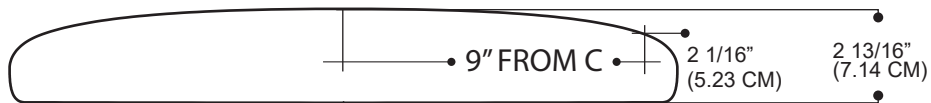
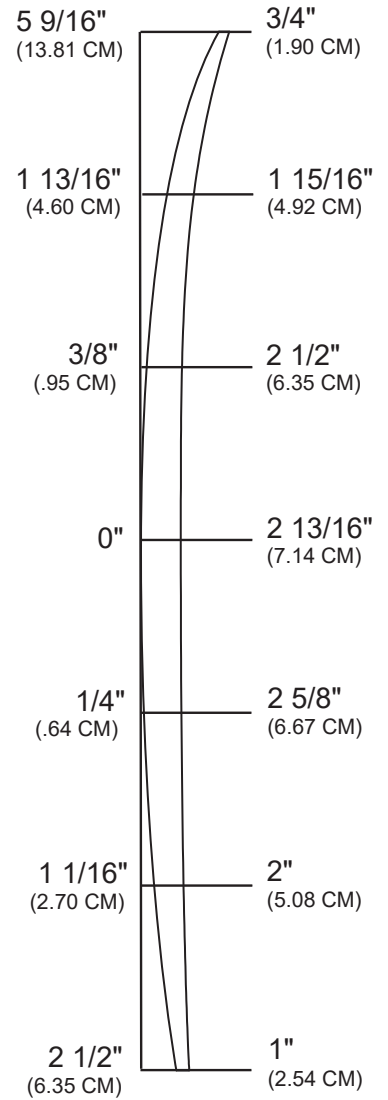
MAX WIDTH: 20 1/4" (51.44 CM)

MAX THICKNESS: 2 13/16" (7.14 CM)

SHAPED BY: CHRIS BORST,
SEPTEMBER 2006

COMMENTS:
THIS IS THE SECOND IN THE
"CB" SHORTBOARD LINE.
DESIGNED TO COMPLEMENT
THE 6'0"CB, AND THE 6'6"CB. A
CLOSE TOLERANCE, MODERN
SHORTBOARD BLANK.
DESIGNED FOR HIGH
PERFORMANCE SURFING.

VOLUME: 40.6L



CENTER DECK SCALE CROSSSECTION



MILLENNIUM
FOAM  BUILD ON QUALITY

STORES.MILLENNIUMFOAM.COM

310.489.8011