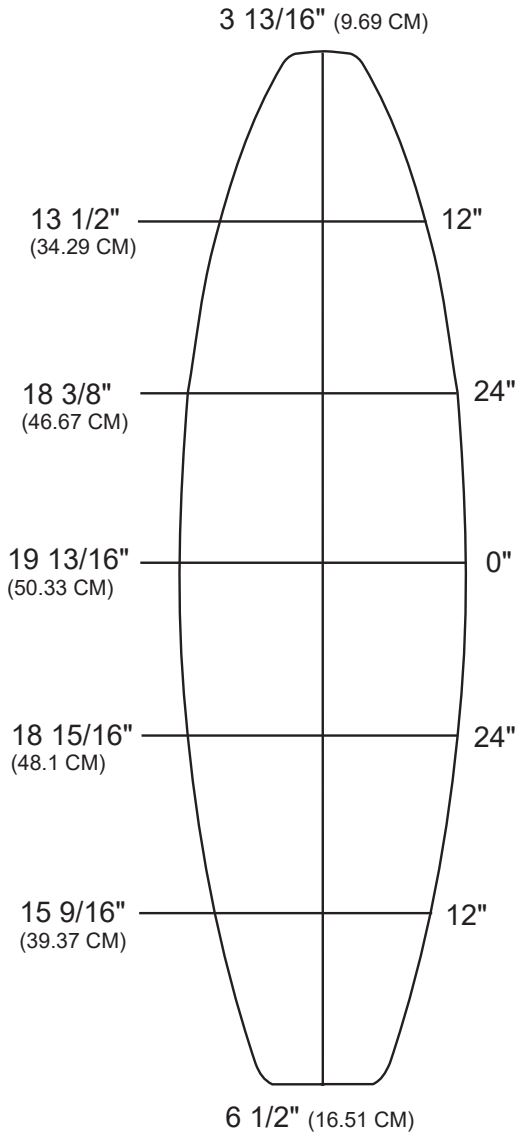


# 6'0"CB

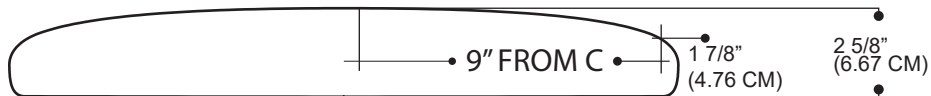
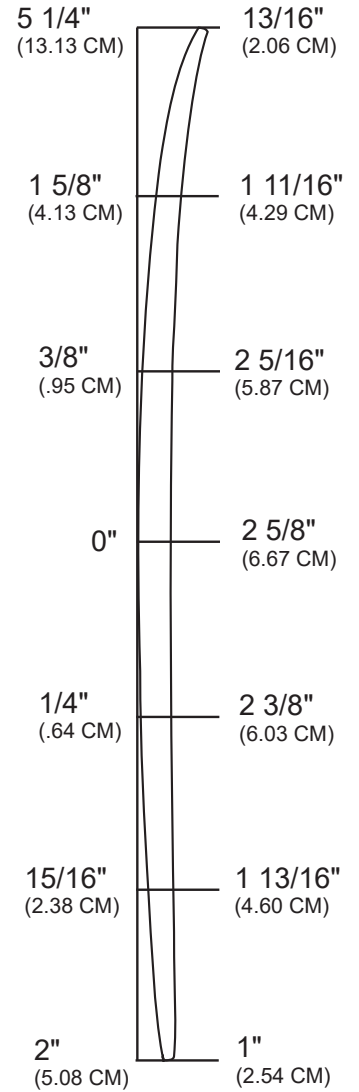


BOTTOM LENGTH: 6' 1" (185.42 CM)  
 TIP TO TIP DECK: 6' 0" (182.88 CM)  
 MAX WIDTH: 19 13/16" (50.33 CM)  
 MAX THICKNESS: 2 5/8" (6.67 CM)

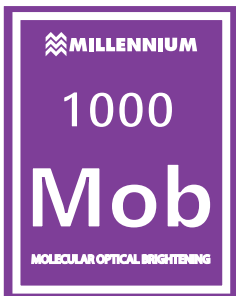
SHAPED BY: CHRIS BORST,  
 OCTOBER 2006

COMMENTS:  
 THE FIRST IN THE "CB" LINE  
 OF SHORTBOARD BLANKS.  
 BUILT TO BE A CLOSE  
 TOLERANCE MODERN  
 SURFBOARD BLANK. BUILT  
 FOR THE NEEDS OF SHAPERS  
 TO PRODUCE SUB 6' SHAPES.

VOLUME: 34.0L



CENTER DECK SCALE CROSSECTION



**MILLENNIUM**  
 FOAM BUILD ON QUALITY

STORES.MILLENNIUMFOAM.COM  
 310.489.8011